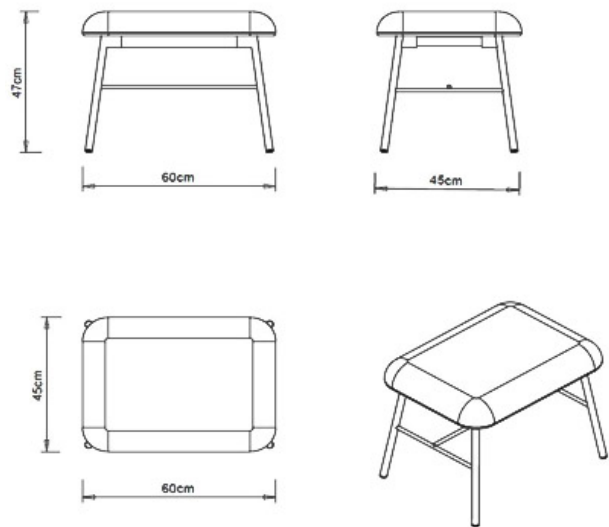


MYRA THREE SEAT BENCH

ATFUSF364

The Myra three seat bench features a powder coated metal frame which can be upholstered in any fabric or leather. 14 powdercoat finishes available.



Three seat bench with 4 legs steel frame and upholstered seat.

WEIGHT	PACK	PIECES PER BOX
19 kg	0,42 m ³	1

FRAMES

AC STEEL



RAL 9005
VR Jet black



RAL 9005
VR Matt Jet Black



RAL 9016
VR Traffic white



RAL 9010
VR Pure white



PANTONE 402 C
VR Turtle-dove



RAL 9006
VR White aluminium



RAL 7016
VR Anthracite grey



VR Pewter



RAL 3003
VR Ruby red



RAL 8017
VR Chocolate brown



RAL 6005
VR Moss green



RAL 7037
VR Matt Dusty grey



VR Rough metallic
bronze



CR Chrome



CR X Brass chrome



CR X Burnished chrome