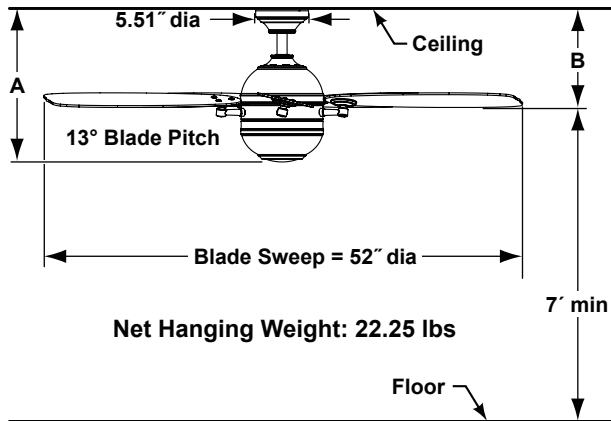




AKIRA™

FP8000 -200
Ceiling Fan**



	A	B
Fan w/4.5" downrod	17.00"	10.43"
Fan w/12" downrod	24.50"	17.93"
Fan w/18" downrod	30.50"	23.93"
Fan w/24" downrod	36.50"	29.93"
Fan w/36" downrod	48.50"	41.93"
Fan w/48" downrod	60.50"	53.93"
Fan w/60" downrod	72.50"	65.93"
Fan w/72" downrod	84.50"	77.93"

INSTALLATION REQUIREMENTS:

Ceiling fan attaches to electrical junction box securely anchored and capable of withstanding a load of at least 50 lbs.

ELECTRICAL REQUIREMENTS:

Ceiling fan requires a grounded electrical supply line of 220~240 volts AC, 50 Hz, 5 amp circuit.

MOTOR SPECS:

172 x 20-220 motor is designed for optimal performance with this fan.

BLADE SETS:

A set of 5 reversible 2.13" wood blades is included. Mahogany/Walnut included with Oil-Rubbed Bronze fan and Cherry/Walnut included with Polished Nickel and Pewter fans.

CONTROL OPTIONS:

TR4WH-220 hand-held remote control is included. Push button remote control has 3 fan speeds, infinite light levels and off button. Optional C2-220 and C6-220 wall controls are available—sold separately. Instructions are provided with each control.

LIGHTING OPTIONS:

Two bulbs (two 60 watt G50 light bulbs -included) downlight fixture is included with this fan assembly. Maximum downlight wattage not to exceed 120 watts.

DOWNROD OPTIONS:

The Akira™ fan comes with a 1" Dia. x 4.5" downrod. Optional downrods are available in 12", 18", 24", 36", 48", 60", and 72". For installations requiring a longer downrod, a downrod coupler is available. The Akira™ fan can be mounted on a sloped ceiling up to 19°. Most sloped ceiling installations require a downrod longer than the standard 4.5" downrod. Optional close-to-ceiling kit is available as well—sold separately. Call your local dealer for more information.

LOCATION USE:

Fan is rated for dry locations only.

Available Finishes	
OB	Oil-Rubbed Bronze with Opal Frosted Glass
PN	Polished Nickel with Opal Frosted Glass
PW	Pewter with Opal Frosted Glass

TUV/GS Efficiency Info (220V)			
Fan Speed	Max RPM	Amps	Watts
High	170	0.29	66
Med	96	0.25	24
Low	52	0.15	10