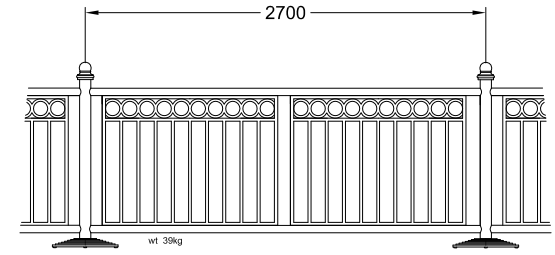
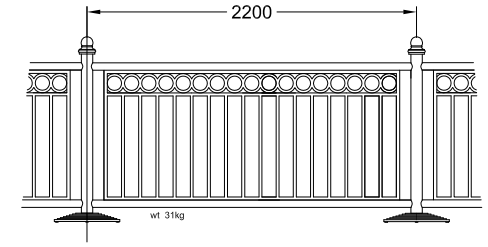
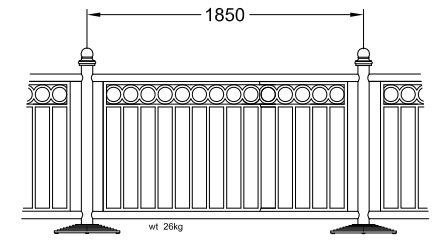
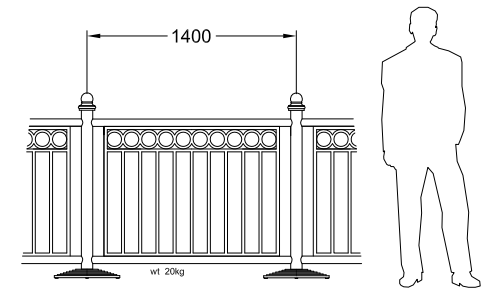
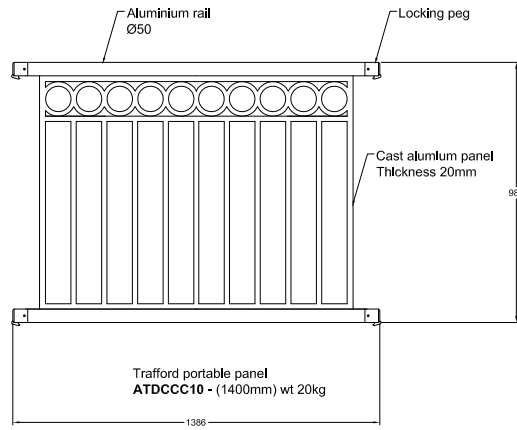
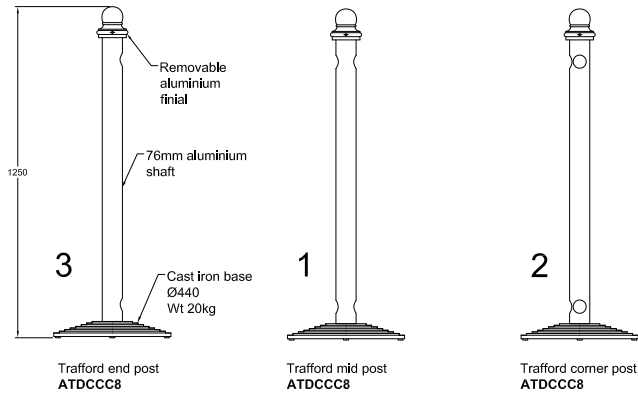
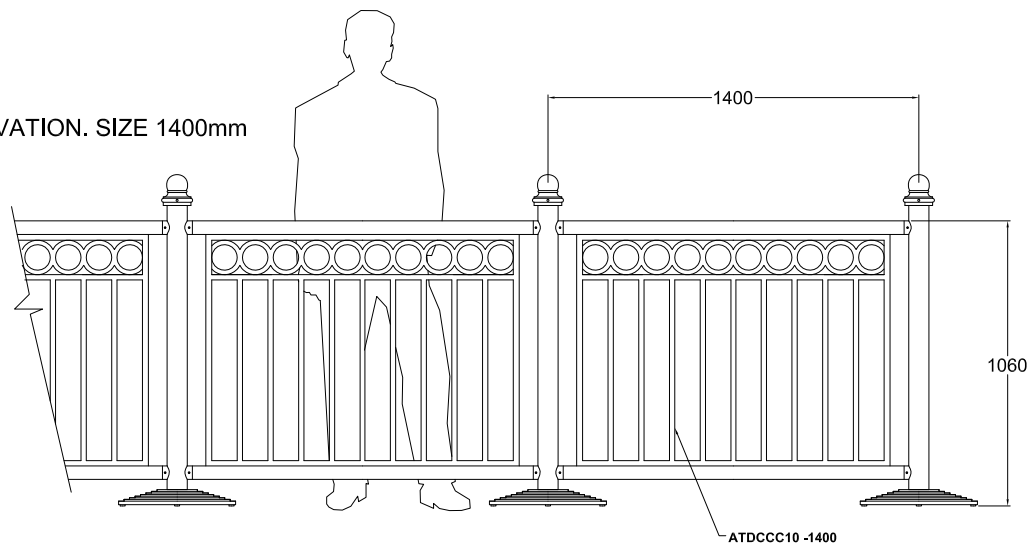


INDIVIDUAL COMPONENTS



EXAMPLE SIZES. ALL SIZES TO ORDER,
 MAXIMUM LENGTH 2.7m
 ALL Ø100mm COMPLIANT

TYPICAL ELEVATION. SIZE 1400mm



EXAMPLE ANGLES. ALL ANGLES TO ORDER, TOLERANCE 10° PER LEG

